

MIXPAC™ DS

50/75 ML CARTRIDGE DISPENSER FOR BS-SYSTEM

Cartridge Support

Flap designed for maximum cartridge support and for easy cartridge exchange



Release Button

Easily accessible with one hand

Trigger

Dual drive to ensure even high viscosity materials maintain their mixing ratio

Ergonomic Handle

For maximum comfort

FEATURES

- Dedicated tool for 1:1/2:1 ratios
- 4:1 and 10:1 plunger systems
- Allotted surface for logo
- Ergonomically designed

BENEFITS

- No plunger change needed
- For easy ratio conversion
- The tool can be customized
- For comfortable and long working time

APPLICATIONS



Bonding



Sealing



Repair

PRODUCT BY RANGE



DS 51-04-00

DS 51-10-00

DS 53-01-00

DS 75-10-00

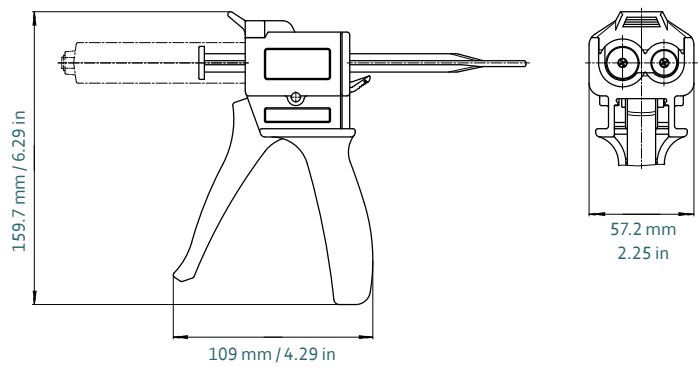
DS 77-01-00

THE MIXPAC™ DS IS A MANUAL LIGHTWEIGHT AND STURDY 2-COMPONENT DISPENSER DESIGNED FOR EASY HANDLING AND PRECISE DISPENSING.

SPECIFICATIONS

- Weight 215 g / 0.47 lbs
- Length: 109 mm / 4.3 in
- Tool material: PPO & reinforced nylon
- Cartridge capacity: 50-75 mL
- Cartridge ratio: 1:1/2:1/4:1/10:1

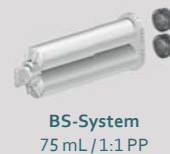
DIMENSIONS



Part number	Article number	Ratio				Packaging
		1:1	2:1	4:1	10:1	
DS 51-04-00	109146			✓		
DS 51-10-00	101929				✓	Packed individually 64 units per master carton (50 mL)
DS 53-01-00	101934	✓	✓			
DS 75-10-00	115676				✓	Packed individually 32 units per master carton (75 mL)
DS 77-01-00	110938	✓				

MATCHING MIXPAC™ CARTRIDGES

BS-SYSTEM



CONVERSION KITS

PLS 053-01, PLS 051-04, PLS 051-10, PLS 075-10, PLS 077-01, see page 16.

MATCHING ACCESSORIES

All accessories are displayed on page 16.