



# UltraFlow™ Bulk

## 600/1000mL Dispenser



Sulzer | 1-Component COX Dispenser | 44

Model shown: UltraFlow Bulk 600mL

### Features

- Ergonomically formed epoxy coated aluminum handle
- Large sintered metal catch plate
- Metal wear compensation sleeve
- Comes with leather plunger

### Benefits

- Powerful 25:1 trigger ratio for easy application
- Offers high load resistance
- Protects the catch plate contact area increasing tool life
- Chemical and solvent resistant

### Applications



Bonding



Sealing

### Product by range



UltraFlow Cartridge



UltraFlow Combi



UltraFlow Bulk

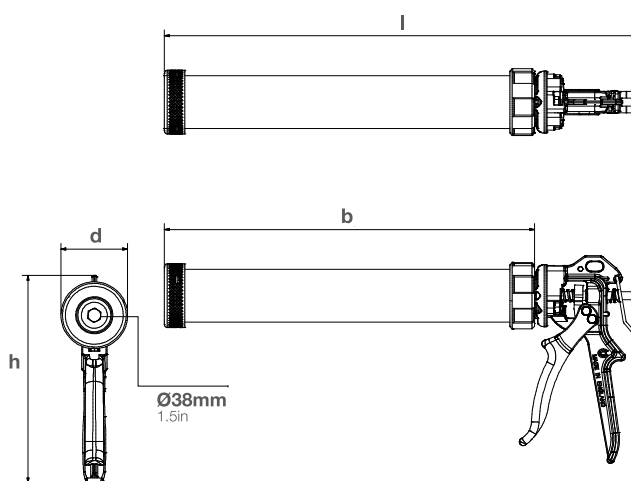
The **UltraFlow Bulk** 1-component manual dispenser with anodized aluminum barrel that copes easily with high forces. The leather plunger assembly is both chemical and solvent resistant.

### Specifications

- Weight: 1.1-1.3kg / 2.4-2.9lbs
- Barrel Length: 380mm-537mm / 15in-21.1in
- Maximum Thrust: 4.5kN
- Handle Material: Epoxy Coated Aluminum
- Barrel Material: Anodized Aluminum
- Tool Component Approvals: REACH
- Bulk Material Capacity: 600mL (20.3oz), 1000mL (33.8oz)
- Mechanical Advantage Ratio: (25:1)
- Standard Color: Black/Grey
- Nozzle Dimension:  $\varnothing 38\text{mm}$  / 1.5in
- Customized versions on demand

### Dimensions (mm/in)

product	height (h)	length (l)	depth (d)	barrel (b)
<b>Bulk 600</b>	213 /8.4	490 /19.3	69 /2.7	380 /9.3
<b>Bulk 1000</b>	213 /8.4	650 /25.6	69 /2.7	537 /21.1



#### Product:

DM1C 600-bu-r25-001  
DM1C 1000-bu-r25-001

#### Article number:

178286 (51002-600 for US)  
178291 (51002-1000 for US)

#### Packaging:

1 per Box  
1 per Box

### Matching MIXPAC™ cartridges

### Compatible cartridges



**Bulk**  
400-4000mL

### Conversion kits

-

### Matching accessories

Ladder Hook Kit / White Cone / Yellow Cone  
on pages 98-102.