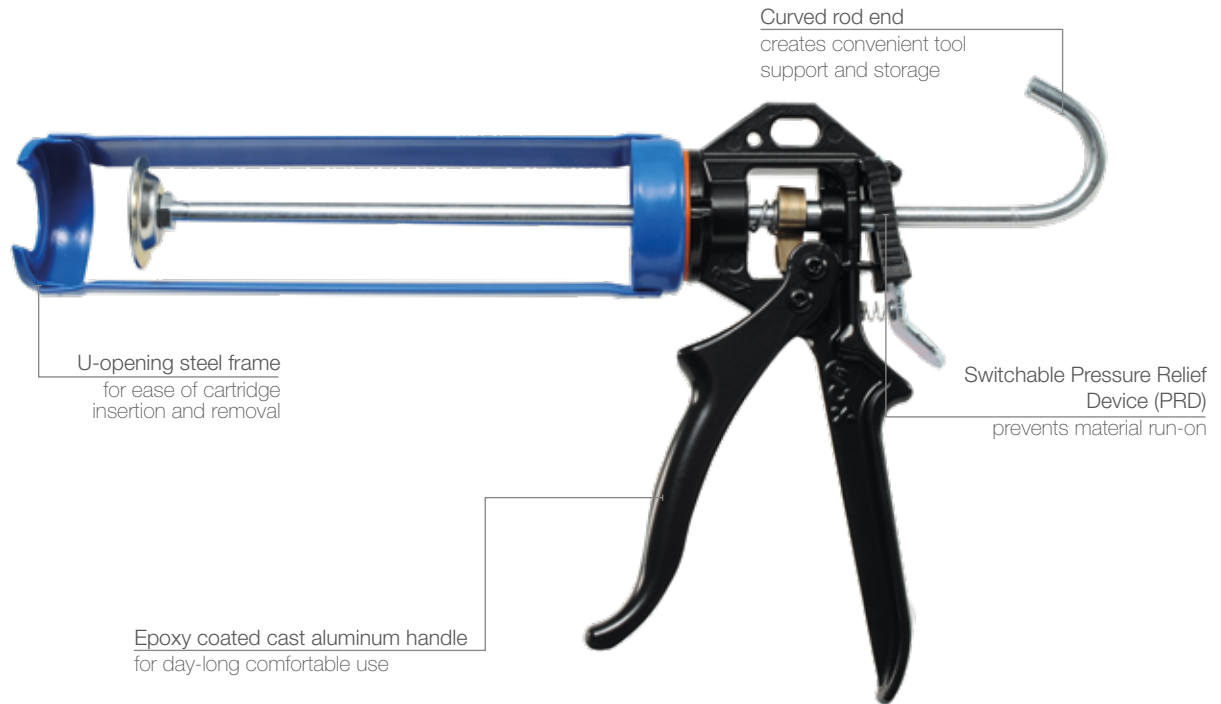




COX™ 1-Component Dispenser

PowerFlow™ Cartridge

A 1-component manual bead dispenser for 310/400mL cartridges.



Model shown: PowerFlow Cartridge 310mL

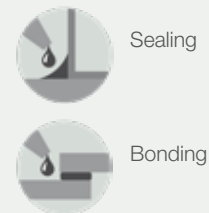
Product advantages

- High quality epoxy coated cast aluminum handle for day-long comfortable use
- U-opening steel frame for ease of cartridge insertion and removal
- Curved rod end creates convenient tool support and storage
- Switchable Pressure Relief Device (PRD) prevents material run-on
- Warranty up to 2 years*

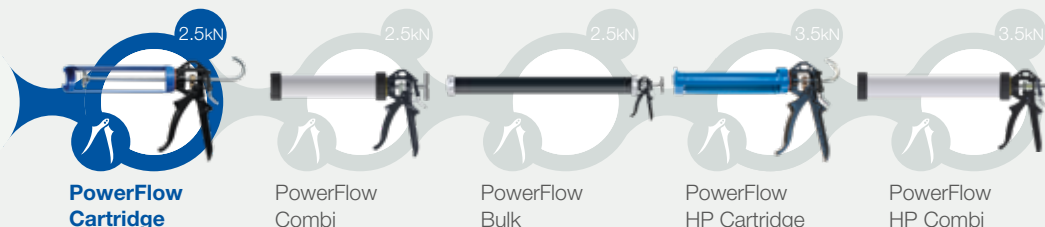
Customer benefits

- Powerful and highly durable
- Maximum use of sealant with minimum waste
- Rotating frame to help follow contours
- Sintered alloy catch plate, hardened rod and Wear Compensation Device (WCD)
- Spike for piercing barrier in cartridges - US only
- Gives you long worry free performance

Applications



Product by range



*effective: July 2018

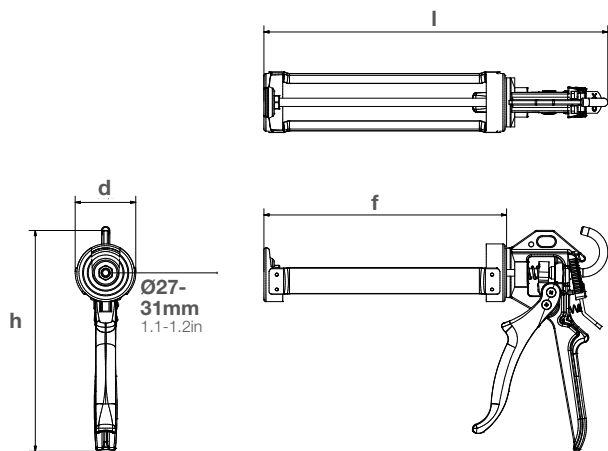
The **COX PowerFlow Cartridge** is part of a range of high-powered manual dispensers. Designed for use with low-medium viscosity sealants and adhesives.

Specifications

- Weight: 0.75-0.79kg / 1.65-1.74lbs
- Frame Length: 233mm-274mm / 9.3in-10.8in
- Maximum Thrust: 2.5kN
- Pressure Relief Device (PRD)
- Handle Material: Epoxy Coated Aluminum
- Frame Material: Epoxy Coated Steel
- Tool Component Approvals: REACH
- Cartridge Capacity: 310mL (10.5oz), 400mL (13.5oz)
- Mechanical Advantage Ratio: (12:1)
- Standard Color: Blue/Black
- Nozzle Dimension: \varnothing 27-31mm / 1.1-1.2in
- Customized versions on demand

Dimensions (mm/in)

product	height (h)	length (l)	depth (d)	frame (f)
Cartridge 310	213 /8.4	334 /13.1	58.5 /2.3	233 /9.3
Cartridge 400	213 /8.4	391 /15.3	58.3 /2.3	274 /10.8



Part number:

Cartridge 310

Cartridge 400

Article number:

AE1001 (41004 for US)

AE2001

Packaging:

1/10 per Box (6 per Box for US)

1/10 per Box

Matching MIXPAC™ cartridges

Compatible cartridges



150mL Red Cap 1:1 and 10:1 Co-axial

	mm	inch
a	118.5	4.67
b	\varnothing 49.3	\varnothing 1.94



150mL Black Cap 1:1 and 10:1 Co-axial

	mm	inch
a	117.0	4.61
b	\varnothing 50.6	\varnothing 1.99



150mL Co-axial Cartridge

	mm	inch
a	117.0	4.61
b	\varnothing 51.0	\varnothing 2.01



310mL Plastic Cartridge

	mm	inch
a	215.0	8.46
b	\varnothing 50.0	\varnothing 1.97



400mL Plastic Cartridge

	mm	inch
a	250.0	9.84
b	\varnothing 50.0	\varnothing 1.97

Conversion kits

Matching accessories

Nozzle extension / Twisty nozzle on pages 90-95.