



COX™ 1-Component Dispenser

JetFlow™ 3 Cartridge

A 1-component pneumatic bead and spray dispenser for 310mL cartridges.







Aluminum barrel
lightweight and long life

Glass reinforced nylon handle
ergonomically designed for comfort

Variable speed regulator
for precise control and
smooth material flow

Regulators

- **Standard: 6.8bar (100psi)** 
- Options available:
 - 3.4bar (50psi) 
 - 5.2bar (75psi) 
 - 8.5bar (125psi) 

Model shown: JetFlow 3 Cartridge 310mL

Product advantages

- Glass reinforced nylon handle, ergonomically designed for comfort
- Variable speed regulator for precise control and smooth material flow
- Aluminum barrel, lightweight and long life
- Fitted as standard with a 6.8bar (100psi) regulator (others available)
- Warranty up to 2 years*

Customer benefits

- Bespoke nozzle range
- Easy adjustment between bead and spray with just one twist
- Compact dispensers ideal for tight spaces
- Lightweight and ergonomically formed for day long use
- Gives you long worry free performance

Applications



Sealing



Bonding

Product by range



JetFlow 3
Cartridge

JetFlow 3
Sachet

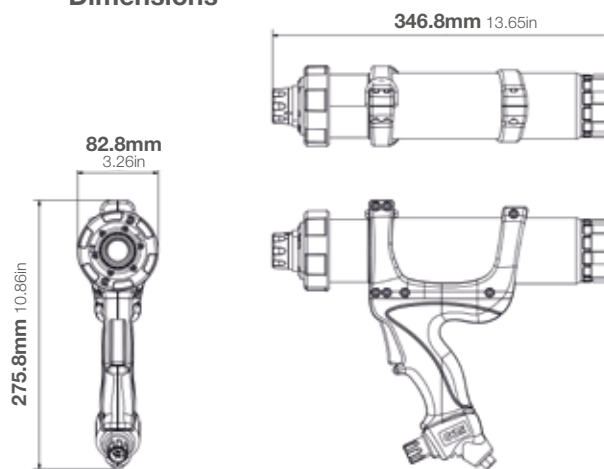
JetFlow 3
Compact Combi

The **COX JetFlow 3 Cartridge** is part of a range of pneumatic dispensers. Designed for use with low to medium viscosity sealants and adhesives.

Specifications

- Weight: 1.22kg / 2.7lbs
- Barrel Length: 346.8mm / 13.7in
- Maximum Thrust: 1.45kN
- Maximum Pneumatic Pressure: 6.8bar (100psi)
- Handle Material: Glass Filled Nylon
- Barrel Material: Aluminum
- Tool Component Approvals: CE, REACH
- Cartridge Capacity: 310mL (10.5oz)
- Standard Color: Black/Grey
- Customized versions on demand

Dimensions



Part number:

Cartridge 310

Article number:

SG1301 (63007-300C for US)

Packaging:

1 per Box

Matching MIXPAC™ cartridges

Compatible cartridges



310mL Plastic Cartridge

	mm	inch
a	215.0	8.46
b	Ø 50.0	Ø 1.97

Conversion kits

Matching accessories

Spray nozzles – 3 variants on pages 90-95.