



COX™ 1-Component Dispenser

ElectraFlow™ Plus Cartridge

A 1-component battery powered bead dispenser for 310mL cartridges.



Model shown: ElectraFlow Plus Cartridge 310mL

Product advantages

- Trigger lock prevents accidental discharge of material
- Variable speed trigger for greater speed control during dispensing
- Epoxy coated steel frame copes easily with high forces
- Adjustable speed dial (1-9)
- Available with 1.5 and 3.0Ah batteries
- Warranty up to 2 years*

Customer benefits

- Overload shut off function prevents damage to the tool and material container
- Rapid battery charge within 30 mins (0-100%)
- Auto-reverse function stops material flow when trigger is released
- Maximum rack speed of 8.0mm/sec gives higher material output
- Gives you long worry free performance

Applications



Sealing

Bonding

Product by range



ElectraFlow Plus Cartridge

ElectraFlow Plus Combi

ElectraFlow Plus Quart

ElectraFlow Plus FloorFix

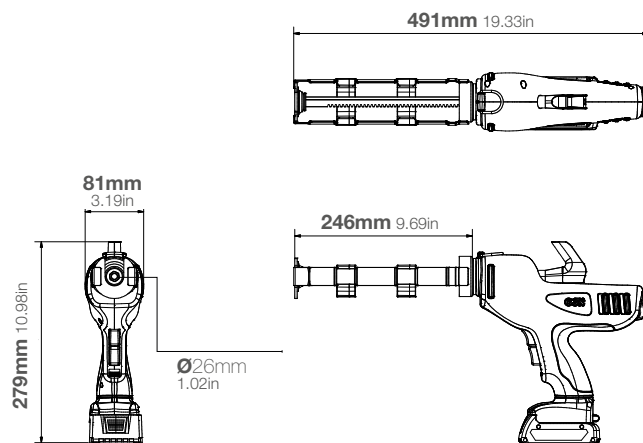
*effective: July 2018

The **COX ElectraFlow Plus Cartridge** is a heavy duty 18V lithium-ion battery powered dispenser. Designed for use with medium-high viscosity sealants and adhesives.

Specifications

- Weight with Battery: 2.38kg / 5.2lbs
- Frame Length: 246mm / 9.69in
- Maximum Thrust: 3.5kN
- Voltage: 18V
- Battery Capacity: 1.5Ah/3.0Ah
- Battery Charge Time: 30 min.
- Battery Type: Li-ion
- Handle Material: PC/ABS
- Frame Material: Epoxy Coated Steel
- Tool Component Approvals: CE, REACH, RoHS
- Cartridge Capacity: 310mL (10.5oz)
- Standard Color: Black/Grey
- Nozzle Dimension: \varnothing 26mm / 1.02in
- Customized versions on demand

Dimensions



Part number:

Cartridge 310

Article number:

EH1300 (83010 for US)

Packaging:

1 per Box or carry case

Matching MIXPAC™ cartridges



310mL Peeler Cartridge

	mm	inch
a	215.0	8.46
b	\varnothing 50.0	\varnothing 1.97

Compatible cartridges



310mL Plastic Cartridge

	mm	inch
a	215.0	8.46
b	\varnothing 50.0	\varnothing 1.97

Conversion kits

-

Matching accessories

Universal battery charger / Battery on pages 90-95.