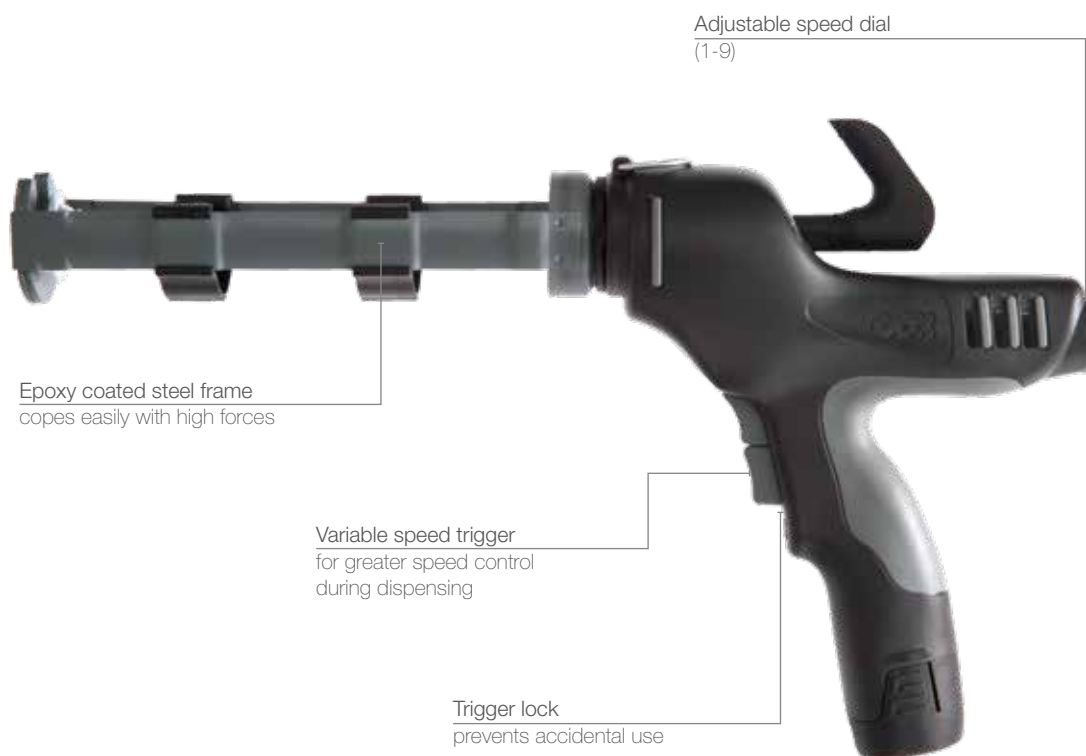




COX™ 1-Component Dispenser

EasiPower™ Plus Cartridge

A 1-component battery powered bead dispenser for 310/400mL cartridges.



Model shown: EasiPower Plus Cartridge 310mL

Product advantages

- Trigger lock prevents accidental discharge of material
- Variable speed trigger for greater speed control during dispensing
- Epoxy coated steel frame copes easily with high force
- Adjustable speed dial (1-9)
- Warranty up to 2 years*

Customer benefits

- Rapid battery charge within 30 mins (0-100%)
- Auto-reverse function stops material flow when trigger is released
- Maximum rack speed of 8.0mm/sec gives higher material output
- No memory loss – can be charged at any time
- Gives you long worry free performance

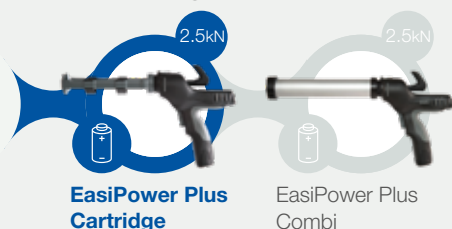
Applications



Sealing

Bonding

Product by range



EasiPower Plus
Cartridge

EasiPower Plus
Combi

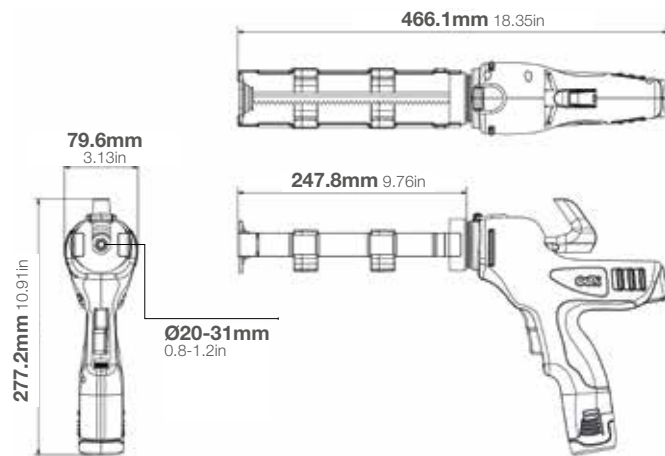
*effective: July 2018

The **COX EasiPower Plus Cartridge** sets the benchmark for reliable battery powered dispensers. Designed for use with low to medium viscosity sealants and adhesives.

Specifications

- Weight with Battery: 1.63kg / 3.5lbs
- Frame Length: 247.8mm / 9.76in
- Maximum Thrust: 2.5kN
- Voltage: 10.8V
- Battery Capacity: 1.5Ah
- Battery Charge Time: 30 min.
- Battery Type: Li-ion
- Handle Material: PC/ABS
- Frame Material: Epoxy Coated Steel
- Tool Component Approvals: CE, REACH, RoHS
- Cartridge Capacity: 310mL (10.5oz), 400mL (13.5oz)
- Standard Color: Black/Grey
- Nozzle Dimension: \varnothing 20-31mm / 0.8-1.2in
- Customized versions on demand

Dimensions



Part number:

Cart 310/400mL

Article number:

EJ1300 (83010-L for US)

Packaging:

1 per Box or carry case

Matching MIXPAC™ cartridges

Compatible cartridges



310mL Plastic Cartridge



400mL Plastic Cartridge

	mm	inch		mm	inch
a	215.0	8.46	a	250.0	9.84
b	Ø 50.0	Ø 1.97	b	Ø 50.0	Ø 1.97

Conversion kits

Matching accessories

Carry case / Universal battery charger / Battery on pages 90-95.