



COX™ 2-Component Dispenser

MR 50

A 2-component manual 50mL dispenser for cartridges.

Simple breech loading mechanism ensures cartridges are held securely



Ergonomic handle and trigger provide for comfort and minimum fatigue

Minimum trigger pressure for effortless use

Model shown: MR 50 50mL

Product advantages

- Cartridge flexibility
- One singular dispenser
- Engineered to provide high thrust
- Simple breech loading mechanism
- Warranty up to 2 years*

Customer benefits

- Holds s-type, rectangular base cartridges & round back
- For 50, 75mL cartridges
- Easy comfortable operation
- Ensures cartridges are held securely
- Gives you long worry free performance

Applications



Bonding

Product by range

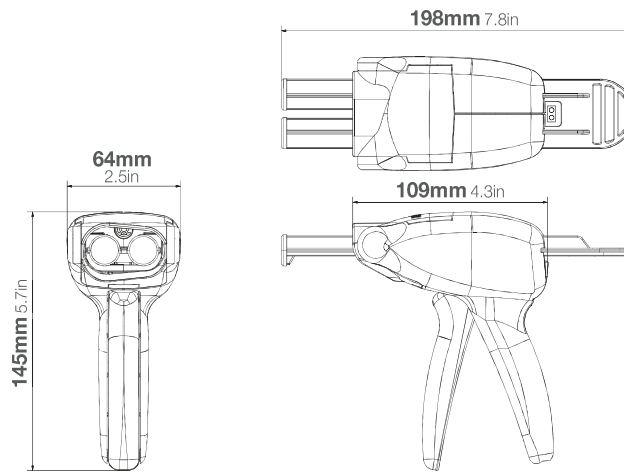


The **MR 50** is part of a range of manual bi-mixer dispensers, designed for use with low to medium viscosity sealants and adhesives.

Specifications

- Lightweight: 0.24kg/0.5lbs
- Frame Length: 109mm / 4.3in
- Maximum Thrust: 2.5kN
- Handle Material: Glass Fiber Reinforced Nylon
- Frame Material: Glass Fiber Reinforced Nylon
- Tool Component Approvals: REACH
- Cartridge Capacity: 50mL (1.7oz), 75mL (2.6oz) (Rectangular base)
- Cartridge Ratio: 1:1, 2:1, 4:1, 10:1 (S-type + Rectangular flange)
- Mechanical Advantage Ratio: 12:1
- Viscosity: Low/Medium
- Standard Color: Grey/Blue
- Customized Versions: Yes

Dimensions



Part number:

MR25 (US) S-type
-

Article number:

MR 5101 S-type (1:1, 2:1, 4:1, 10:1)
MR5303 Rectangular flange (1:1, 2:1, 4:1, 10:1)

Colour:

grey/blue
grey/grey

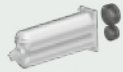
Packaging:

20 per box
20 per box

Matching MIXPAC™ side-by-side cartridges



A/B and BS-System Cartridge
50mL / 1:1 PP/PA



A/B and BS-System Cartridge
50mL / 2:1 PP/PA

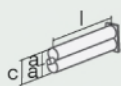


A/B and BS-System Cartridge
50mL / 4:1 PP/PA

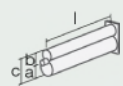


A/B and BS-System Cartridge
50mL / 10:1 PP/PA/PBT

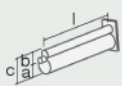
Compatible side-by-side cartridges



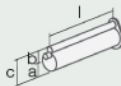
Rectangular Flange Cartridge
50mL / 1:1 PP / PBT



Rectangular Flange Cartridge
50mL / 2:1 PP / PBT



Rectangular Flange Cartridge
50mL / 4:1 PP / PBT



Round Flange Cartridge
50mL / 10:1 PP / PBT

1:1	mm	inch
l	99.7	3.93
a	Ø21.0	Ø0.83
c	46.0	1.81

2:1	mm	inch
l	108.5	4.27
a	Ø25.0	Ø0.89
b	Ø18.0	Ø0.71
c	46.0	1.81

4:1	mm	inch
l	108.5	4.27
a	Ø25.0	Ø0.89
b	Ø13.0	Ø0.51
c	46.0	1.81

10:1	mm	inch
l	102.0	4.02
a	Ø30.0	Ø1.18
b	Ø10.8	Ø0.43
c	44.0	1.73

Conversion kits

Matching accessories