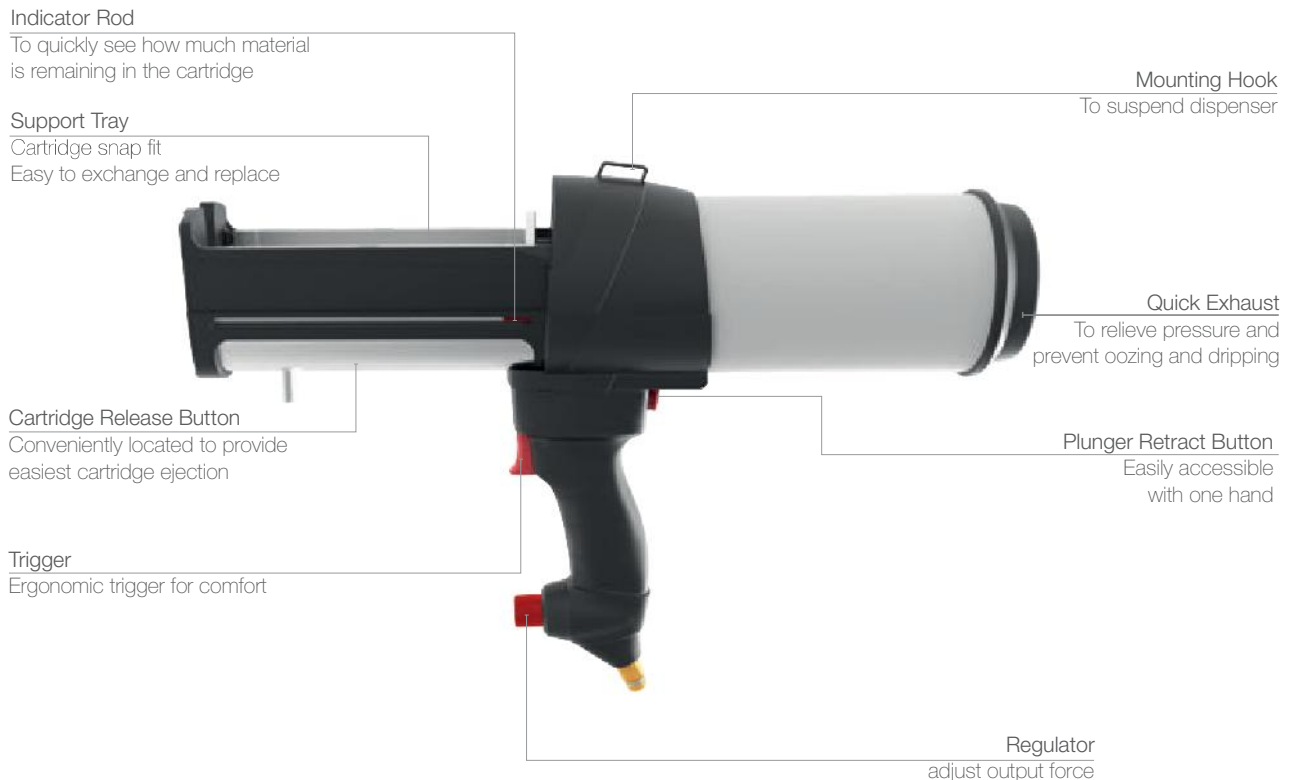




# MIXPAC™ 2-Component Dispenser

## MIXPAC™ DP2X 400

A pneumatic operated dispenser for 400mL cartridges.



### Product advantages

- Designed specifically for Mixpac C and F System Cartridges
- Cartridge snap fit
- Controls accessible with one hand
- Integrated anti-drip feature
- Warranty up to 2 years\*

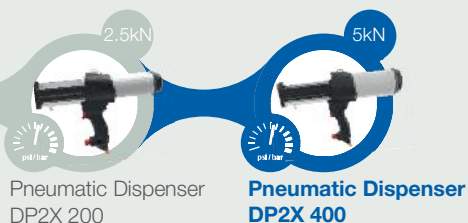
### Customer benefits

- Easy cartridge positioning and fixation
- Ergonomic
- High precision and dispensing accuracy
- Can easily be converted into all ratios with proper conversion kits
- Gives you long worry free performance

### Applications



### Product by range



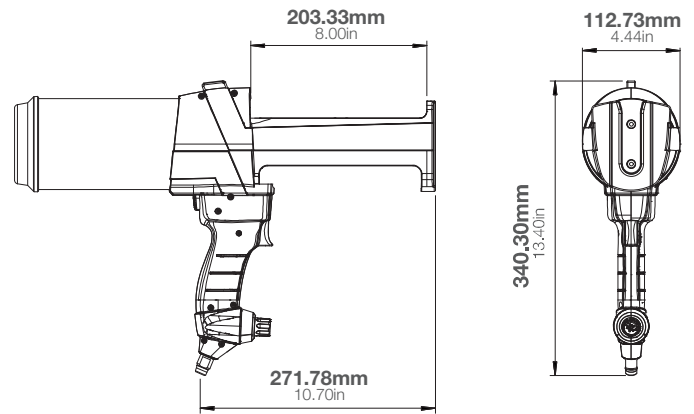
\*effective: July 2018

# The DP2X 400 - dispensing accuracy with full comfort

## Specifications

- Weight 2.66kg / 5.87lbs
- Length: 486mm / 15.8in
- Maximum Thrust: 5.0kN
- Tool material: cast aluminium and reinforced nylon
- Cartridge capacity: 400mL
- Cartridge ratio: 1:1 / 2:1 / 4:1 / 10:1
- Air inlet: 1/4in NPT
- Max operating pressure: 6.8 bar

## Dimensions



Part number:	Article number:	Ratio			
		1:1	2:1	4:1	10:1
DP2X 400-01-50-01	165864	✓	✓		
DP2X 400-04-50-01	165865			✓	
DP2X 400-10-50-01	165866				✓

## Packaging:

Packed individually 1 unit per master carton

## Matching MIXPAC™ side-by-side cartridges



**C-System / F-System**  
400mL / 1:1 PP/PA



**C-System / F-System**  
400mL / 2:1 PP/PA

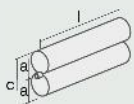


**C-System / F-System**  
400mL / 4:1 PP/PBT

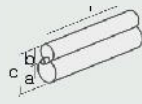


**C-System / F-System**  
400mL / 10:1 PP/PBT

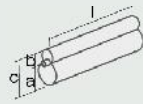
## Other matching cartridges



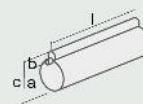
**Plastic Cartridge**  
400mL / 1:1 PP/PA



**Plastic Cartridge**  
400mL / 2:1 PP/PA



**Plastic Cartridge**  
400mL / 4:1 PP/PA



**Plastic Cartridge**  
400mL / 10:1 PP/PA

1:1	mm	inch
l	185	7.28
a	Ø 45	Ø 1.77
c	93	3.66

2:1	mm	inch
l	185	7.28
a	Ø 52	Ø 2.05
b	Ø 37	Ø 1.46
c	96	3.78

4:1	mm	inch
l	185	7.28
a	Ø 58	Ø 2.28
b	Ø 30	Ø 1.18
c	91	3.58

10:1	mm	inch
l	185	7.28
a	Ø 66	Ø 2.60
b	Ø 24	Ø 0.94
c	94	3.70

## Conversion kits

CKX 400-01-01, CKX 400-04-01, CKX 400-10-01

## Matching accessories

All accessories are displayed on page 22.