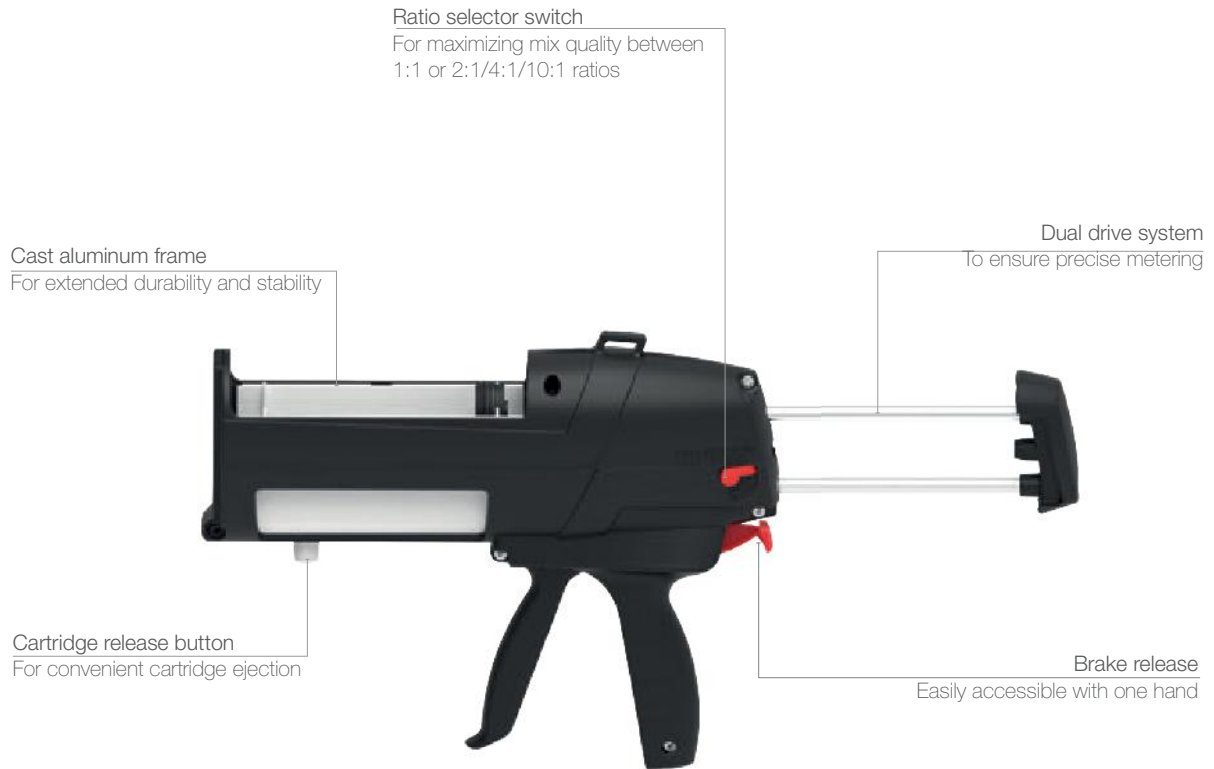




MIXPAC™ DM2X 200

200mL Cartridge Dispenser



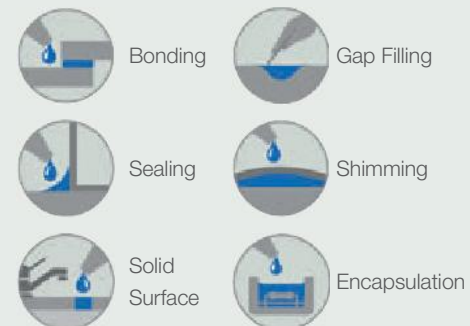
Features

- Universal conversion kits with interchangeable cartridge trays and plungers
- High thrust ratio
- Ergonomically designed

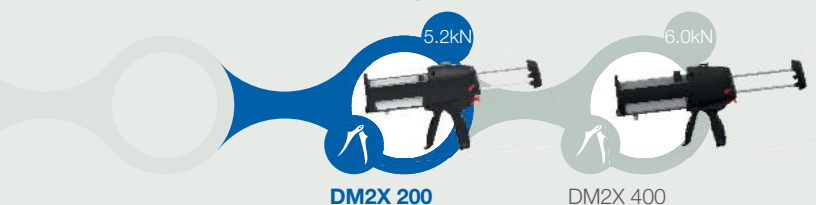
Benefits

- Quick ratio exchange and use with DM2X and DP2X tools
- Easy to dispense high viscosity products
- Maximum comfort and fatigue-free operation

Applications



Product by range

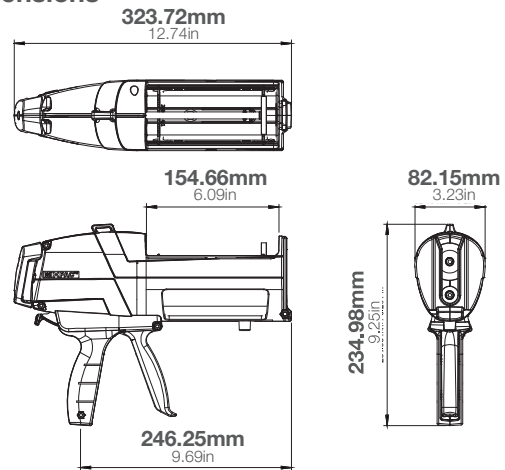


The **DM2X 200** is a manual dispenser for accurate metering with precise and consistent results.

Specifications

- Weight 1.60kg / 3.53lbs
- Length: 324mm / 12.7in
- Maximum Thrust: 5.2kN
- Thrust ratio: 22:1
- Tool material: cast aluminum
- Cartridge capacity: 200mL
- Cartridge ratio: 1:1 / 2:1 / 4:1 / 10:1

Dimensions



Packaging:

Packed individually 1 unit per master carton

Part number:	Article number:	Ratio			
		1:1	2:1	4:1	10:1
DM2X 200-01-52-01	165803	✓	✓		
DM2X 200-04-52-01	165804			✓	
DM2X 200-10-52-01	165805				✓

Matching MIXPAC™ side-by-side cartridges

C-System / F-System



C-System / F-System
200mL / 1:1 PP/PA



C-System / F-System
200mL / 2:1 PP/PA



C-System / F-System
200mL / 4:1 PP/PBT



C-System / F-System
200mL / 10:1 PP/PBT

Conversion kits

CKX 200-01-01, CKX 200-04-01, CKX 200-10-01

Matching accessories

All accessories are displayed on page page 16.