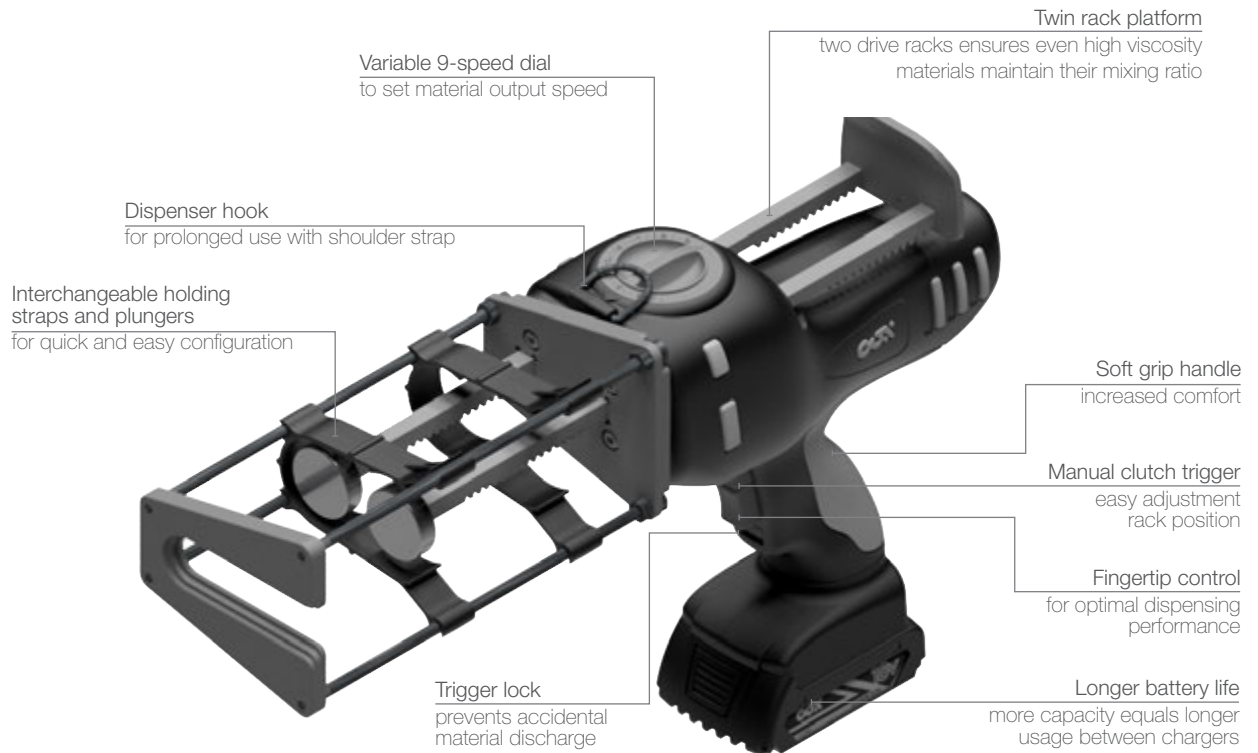




COX™ 2-Component Dispenser

ElectraFlow™ Dual Ultra VBE 400 MR

A 2-component battery powered 400mL dispenser for cartridges.



Model shown: ElectraFlow Dual Ultra VBE 400 MR

Product advantages

- Interchangeable cartridge straps and plungers
- Rechargeable 18V lithium Bosch battery
- Twin rack platform
- Automatic rack retraction
- Warranty up to 2 years for both battery and charger *

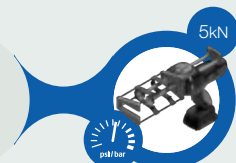
Customer benefits

- For quick and easy configuration
- 100% longer life time
- Ensures mixing ratio is maintained
- Anti-drip mechanism – no run on
- Gives you long worry free performance

Applications



Product by range



ElectraFlow Dual Ultra VBE 400 MR

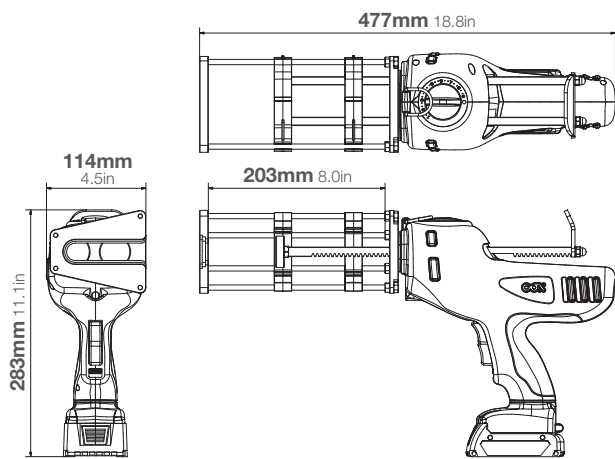
*Effective 1st July 2018

The **ElectraFlow Dual Ultra VBE 400 MR** is part of a range of battery dispensers, designed for use with medium to high viscosity sealants and adhesives.

Specifications

- Weight: 2.5-5kg / 5.5-11lbs
- Frame Length: 203mm / 8.0in
- Maximum Thrust: 5kN
- Voltage: 18V
- Battery Capacity: 2.0Ah, 4.0Ah
- Battery Charge Time: 2.0Ah 35min / 4.0Ah 45min
- Battery Type: Li-ion
- Handle Material: PC/ABS
- Frame Material: Steel/Aluminum
- Tool Component Approvals: CE, REACH, RoHS
- Cartridge Capacity: 400mL (14oz)
- Cartridge Ratio: 1:1, 2:1, 4:1, 10:1
- Viscosity: Medium/High
- Standard Color: Black/Grey
- Customized versions on demand

Dimensions



Part number:

VBE 400 MR
81400-D (US)

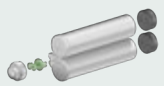
Article number:

EK2400
-

Packaging:

1 per Box
1 per Box

Matching MIXPAC™ side-by-side cartridges



C-System / F-System
400mL / 1:1 PP/PA



C-System / F-System
400mL / 2:1 PP/PA



C-System / F-System
400mL / 4:1 PP/BPT



C-System / F-System
400mL / 10:1 PP/BPT

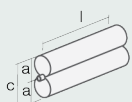


Blueline
400mL / 2:1 PP/BPT

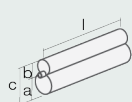


Blueline
400mL / 10:1 PP/BPT

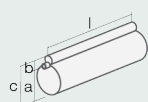
Compatible side-by-side cartridges



Plastic Cartridge
400mL / 1:1 PP/PBT



Plastic Cartridge
400mL / 2:1 PP



Plastic Cartridge
400mL / 10:1 PP/PBT

Ratio	mm	inch	Ratio	mm	inch	Ratio	mm	inch	
1:1	l	185.0	7.28	l	185.0	7.28	l	185.0	7.28
	a	Ø45.0	Ø1.77	a	Ø47.0	Ø1.85	a	Ø65.0	Ø2.56
	c	93.0	3.66	b	Ø33.0	Ø1.3	b	Ø19.5	Ø0.77
				c	96.0	3.78	c	94.0	3.7

Conversion kits

-

Matching accessories

Batteries, battery charger, plungers, straps and shoulder strap a on pages 100.