



COX™ 1-Component Dispenser

AirFlow™ 3 Sachet

A 1-component pneumatic bead dispenser for 310/400/600mL sachets.



Anodized aluminum barrel
lightweight and long life

Glass reinforced nylon handle
ergonomically designed for comfort

Variable speed regulator
for precise control and
smooth material flow

Regulators

- **Standard: 6.8bar (100psi)** ●
- Options available:
 - 3.4bar (50psi) ●
 - 5.2bar (75psi) ●
 - 8.5bar (125psi) ○

Model shown: AirFlow 3 Sachet 310mL

Product advantages

- Glass reinforced nylon handle, ergonomically designed for comfort
- Variable speed regulator for precise control and smooth material flow
- Anodized aluminum barrel, lightweight and long life
- Fitted as standard with a 6.8bar (100psi) regulator (others available)
- Warranty up to 2 years*

Customer benefits

- Lightweight and ergonomically formed for comfort and ease of use
- Built-in silencer (less than 70dB)
- Floating plunger system to minimize waste of material
- Built-in air hose for safety
- Gives you long worry free performance

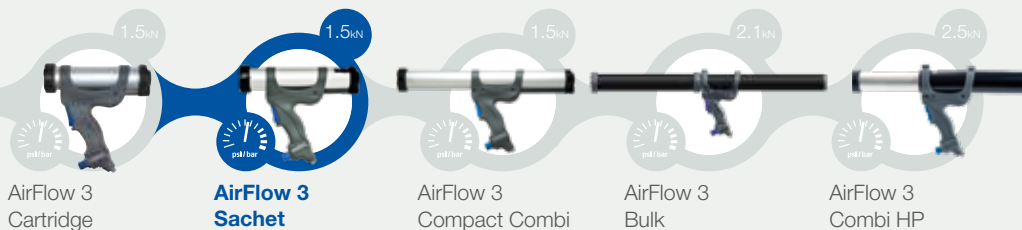
Applications



Sealing

Bonding

Product by range



AirFlow 3
Cartridge

**AirFlow 3
Sachet**

AirFlow 3
Compact Combi

AirFlow 3
Bulk

AirFlow 3
Combi HP

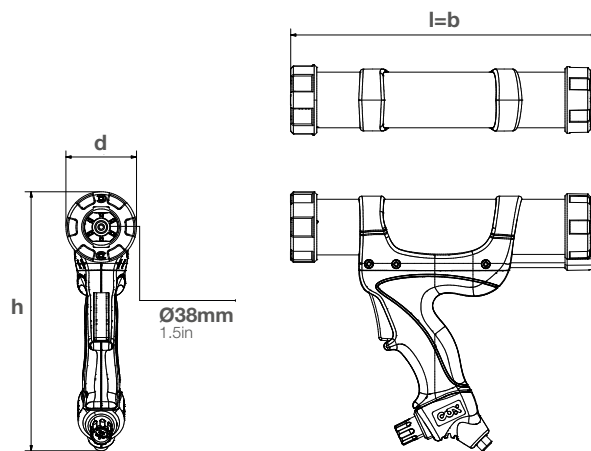
The **COX AirFlow 3 Sachet** is part of a range of pneumatic dispensers. Designed for use with low to medium viscosity sealants and adhesives.

Specifications

- Weight: 0.78-0.82kg / 1.7-1.8lbs
- Barrel Length: 297-436mm / 11.7-17.2in
- Maximum Thrust: 1.5kN
- Maximum Pneumatic Pressure: 6.8bar (100psi)
- Handle Material: Glass Filled Nylon
- Barrel Material: Anodized Aluminum
- Tool Component Approvals: CE, REACH
- Sachet Capacity: 310mL (10.5oz), 400mL (13.5oz), 600mL (20.3oz)
- Standard Colour: Black/Grey
- Nozzle Dimension: \varnothing 38mm / 1.5in
- Customized versions on demand

Dimensions (mm/in)

product	height (h)	length (l)	depth (d)	barrel (b)
Sachet 310	251 /9.9	297 /11.7	69 /2.7	297 /11.7
Sachet 400	251 /9.9	329 /12.9	69 /2.7	329 /12.9
Sachet 600	251 /9.9	436 /17.2	69 /2.7	436 /17.2



Part number:	Article number:	Packaging:
Sachet 310	SA1301 (63006-300 for US)	1 per Box
Sachet 400	SA1401 (63006-400 for US)	1 per Box
Sachet 600	SA1601 (63006-600 for US)	1 per Box

Matching MIXPAC™ cartridges

Compatible cartridges and sachets



310mL Sachet



400mL Sachet



600mL Sachet

	mm	inch
a	220.0	8.66
b	\varnothing 50.0	\varnothing 1.97

	mm	inch
a	258.0	10.16
b	\varnothing 50.0	\varnothing 1.97

	mm	inch
a	335.0	13.19
b	\varnothing 50.0	\varnothing 1.97

Conversion kits

Matching accessories

Nozzles - on pages 90-95.