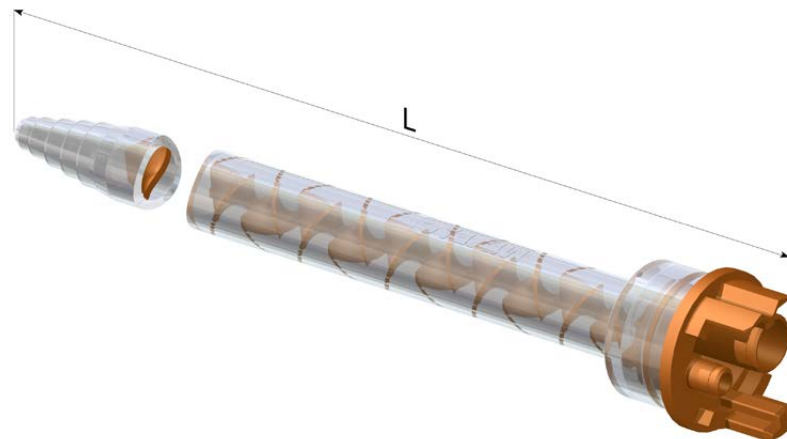


MIXPAC™ F-System 200 / 400 Industrial

Mixer Helix for System F 200 / 400, 4:1/10:1



Part number	Article	Description	Elements	Ø (mm)	L (mm)	Vol. (ml)	Units / box
102473	MFHX 06-18T	Mixer helix, 4:1/10:1 orange elements, stepped tip	18	6.0	156	4.16	1'700
102474	MFHX 06-24T	Mixer helix, 4:1/10:1 orange elements, stepped tip	24	6.0	194	5.20	1'400
113275	MFHX 06-32T	Mixer helix, 4:1/10:1 orange elements, stepped tip	32	6.0	245	6.56	1'200
102475	MFHX 08-18T	Mixer helix, 4:1/10:1 orange elements, stepped tip	18	8.0	187	7.28	1'400
102476	MFHX 08-24T	Mixer helix, 4:1/10:1 orange elements, stepped tip	24	8.0	234	9.14	1'200
112720	MFHX 08-32T	Mixer helix, 4:1/10:1 orange elements, stepped tip	32	8.0	296	11.55	900
102477	MFHX 10-18T	Mixer helix, 4:1/10:1 orange elements, stepped tip	18	10.0	224	12.96	1'000
102478	MFHX 10-24T	Mixer helix, 4:1/10:1 orange elements, stepped tip	24	10.0	283	16.70	900
113250	MFHX 10-32T	Mixer helix, 4:1/10:1 orange elements, stepped tip	32	10.0	363	21.22	500
151605	MFHX 13-18T	Mixer helix, 4:1/10:1 orange elements, stepped tip	18	13.0	235	20.73	800
151606	MFHX 13-24T	Mixer helix, 4:1/10:1 orange elements, stepped tip	24	13.0	296	26.48	600

Headquarters

Sulzer Mixpac Ltd
 phone +41 81 772 20 00
 fax +41 81 772 20 01
 mixpac@sulzer.com
 www.sulzer.com

USA, South America, Canada and Mexico

Sulzer Mixpac USA Inc.
 phone +1 603 893 27 27
 fax +1 603 893 37 37
 mixpac@sulzer.com
 www.sulzer.com

Asia Pacific

Sulzer Mixpac China
 phone +86 21 6430 68 68
 fax +86 21 6430 66 88
 mixpac@sulzer.com
 www.sulzer.com

Denmark

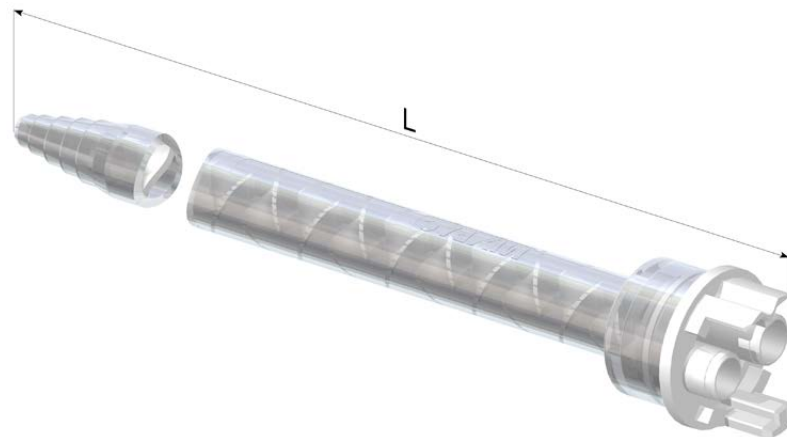
Sulzer Mixpac Denmark A/S
 phone +45 4360 0111
 fax +45 4369 0137
 mixpac@sulzer.com
 www.sulzer.com

UK and Ireland

Sulzer Mixpac UK
 phone +44 1536 31 29 90
 fax +44 1536 31 29 85
 mixpac@sulzer.com
 www.sulzer.com

MIXPAC™ F-System 200 / 400 Industrial

Mixer Helix for System F 200 / 400, 1:1/2:1



Part number	Article	Description	Elements	Ø (mm)	L (mm)	Vol. (ml)	Units / box
102466	MFH 06-18T	Mixer helix, 1:1/2:1 white elements, stepped tip	18	6.0	156	4.36	1'700
102467	MFH 06-24T	Mixer helix, 1:1/2:1 white elements, stepped tip	24	6.0	194	5.40	1'400
116040	MFH 06-32T	Mixer helix, 1:1/2:1 white elements, stepped tip	32	6.0	245	6.65	700
102468	MFH 08-18T	Mixer helix, 1:1/2:1 white elements, stepped tip	18	8.0	187	7.40	1'400
102469	MFH 08-24T	Mixer helix, 1:1/2:1 white elements, stepped tip	24	8.0	234	9.30	1'200
102470	MFH 08-32T	Mixer helix, 1:1/2:1 white elements, stepped tip	32	8.0	297	11.85	900
102471	MFH 10-18T	Mixer helix, 1:1/2:1 white elements, stepped tip	18	10.0	224	13.09	1'000
102472	MFH 10-24T	Mixer helix, 1:1/2:1 white elements, stepped tip	24	10.0	283	16.89	900
110583	MFH 10-32T	Mixer helix, 1:1/2:1 white elements, stepped tip	32	10.0	362	21.94	500
151603	MFH 13-18T	Mixer helix, 1:1/2:1 white elements, stepped tip	18	13.0	235	20.56	800
151604	MFH 13-24T	Mixer helix, 1:1/2:1 white elements, stepped tip	24	13.0	296	26.31	600

Headquarters

Sulzer Mixpac Ltd
 phone +41 81 772 20 00
 fax +41 81 772 20 01
 mixpac@sulzer.com
 www.sulzer.com

USA, South America, Canada and Mexico

Sulzer Mixpac USA Inc.
 phone +1 603 893 27 27
 fax +1 603 893 37 37
 mixpac@sulzer.com
 www.sulzer.com

Asia Pacific

Sulzer Mixpac China
 phone +86 21 6430 68 68
 fax +86 21 6430 66 88
 mixpac@sulzer.com
 www.sulzer.com

Denmark

Sulzer Mixpac Denmark A/S
 phone +45 4360 0111
 fax +45 4369 0137
 mixpac@sulzer.com
 www.sulzer.com

UK and Ireland

Sulzer Mixpac UK
 phone +44 1536 31 29 90
 fax +44 1536 31 29 85
 mixpac@sulzer.com
 www.sulzer.com